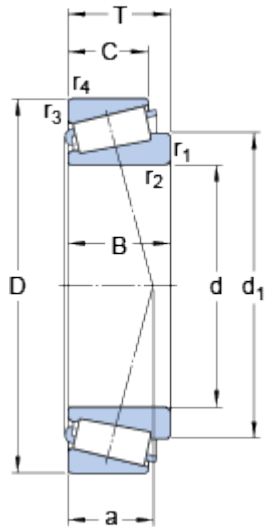


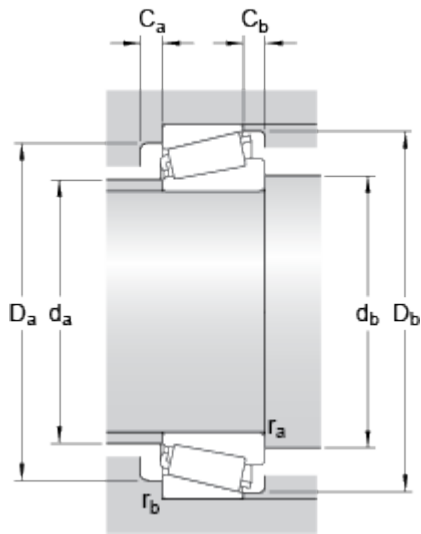
# JM 718149 A/110/Q

## Dimensions



d		90	mm
D		145	mm
T		35	mm
d <sub>1</sub>	≈	117.18	mm
B		34	mm
C		27	mm
r <sub>1,2</sub>	min.	6	mm
r <sub>3,4</sub>	min.	2.5	mm
a		33	mm

## Abutment dimensions



d <sub>a</sub>	max.	100	mm
d <sub>b</sub>	min.	108	mm
D <sub>a</sub>	min.	127	mm
D <sub>a</sub>	max.	135	mm
D <sub>b</sub>	min.	139	mm
C <sub>a</sub>	min.	6	mm
C <sub>b</sub>	min.	8	mm
r <sub>a</sub>	max.	5.6	mm
r <sub>b</sub>	max.	2.5	mm

## Calculation data

Basic dynamic load rating	C	201	kN
Basic static load rating	C <sub>0</sub>	305	kN
Fatigue load limit	P <sub>u</sub>	33.5	kN
Reference speed		3200	r/min
Limiting speed		4800	r/min
Calculation factor	e	0.44	
Calculation factor	Y	1.35	

Calculation factor

$Y_0$

0.8

**Mass**

---

Mass bearing

2.1

kg